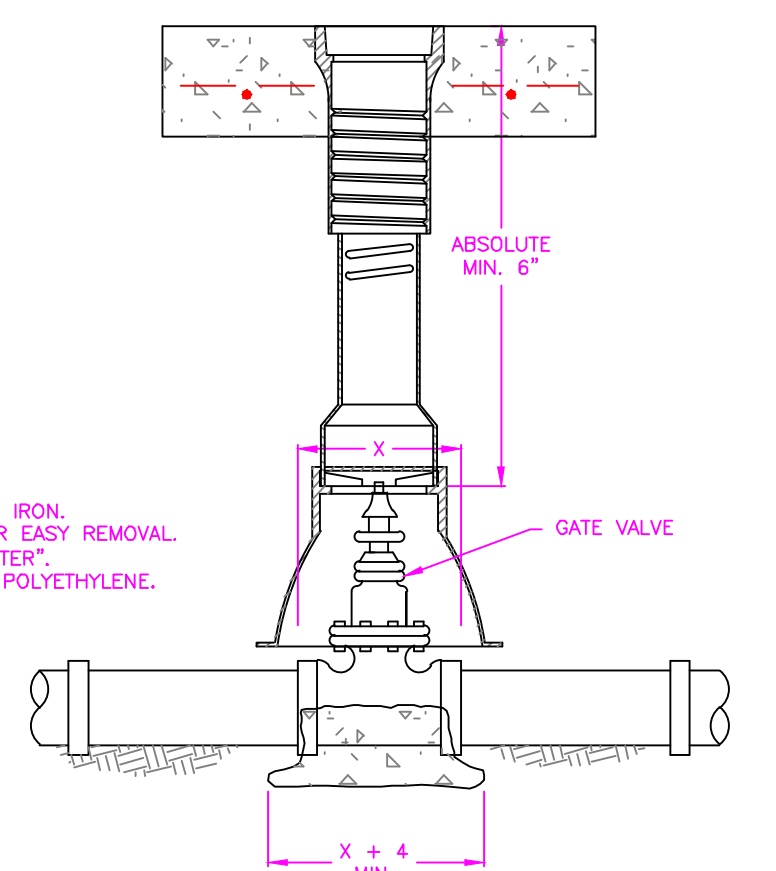
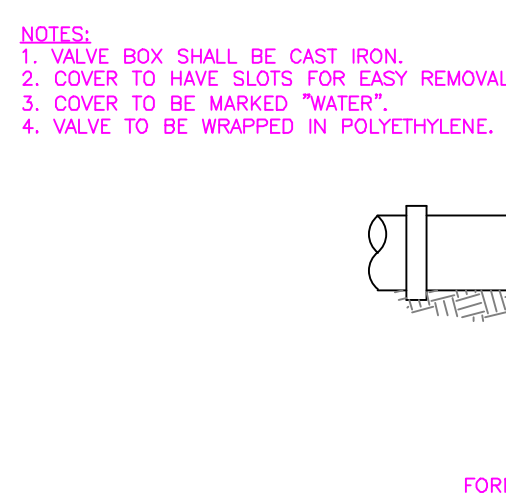
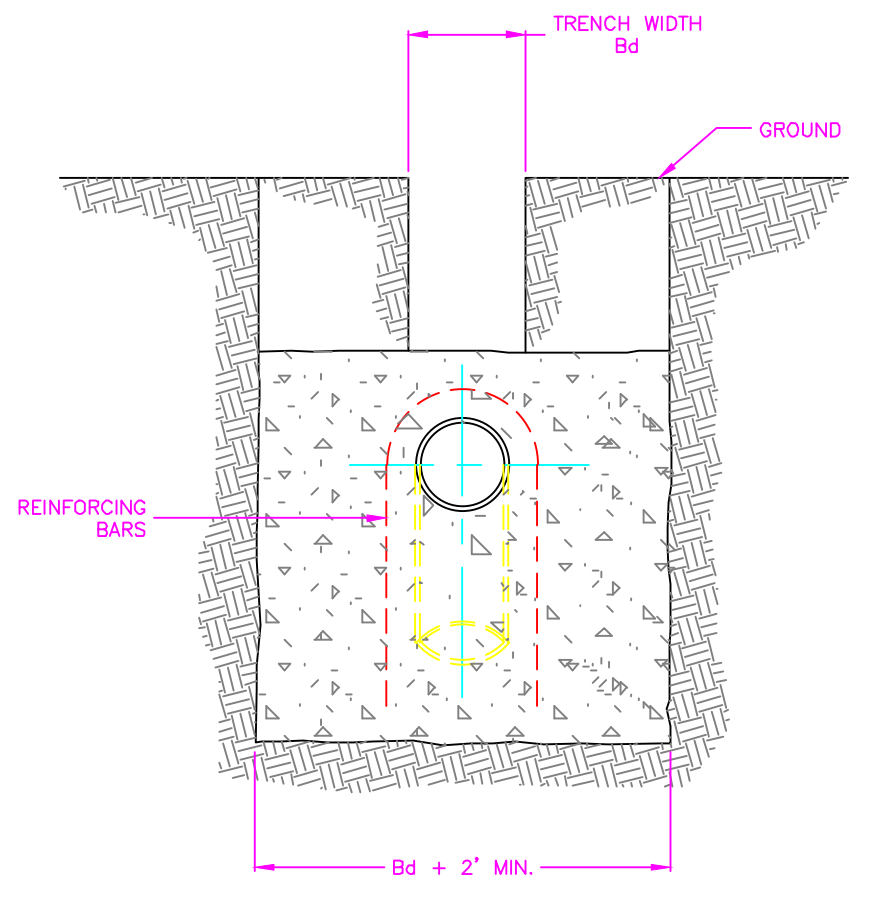


NOTE:
 THIS DETAIL COVERS WATER GATE VALVES, 4" TO 12" INCLUSIVE, REGARDLESS OF TYPE OF PIPE USED.

24" SQ. 3,500 PSI CONCRETE COLLAR 8" THICK REINFORCED W/ #4S @ 10" O.C.W. (REQUIRED IN PAVED SECTIONS)

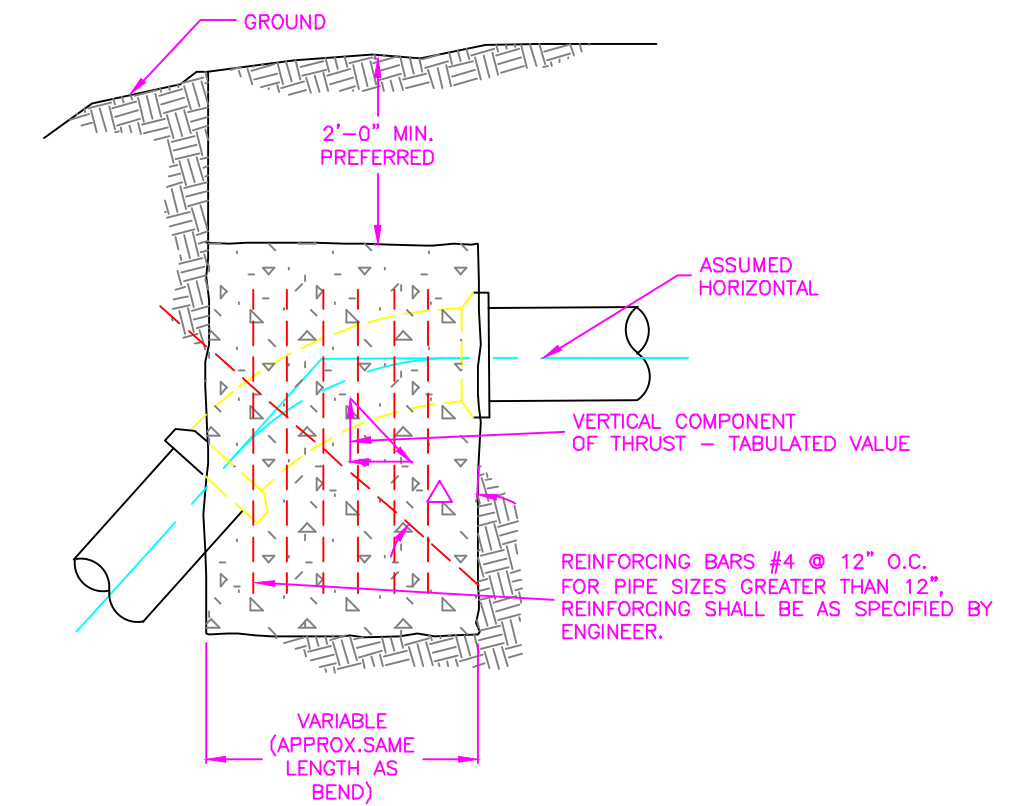


WATER GATE VALVE - 12" & SMALLER
 NOT TO SCALE

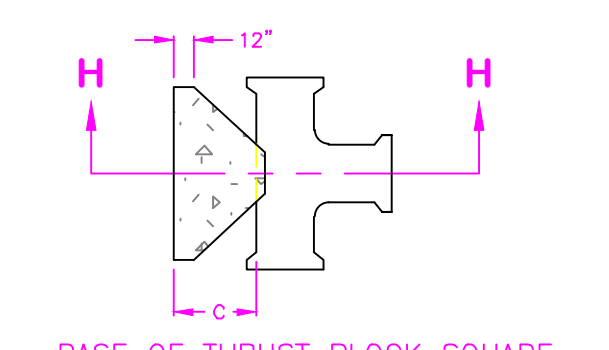


Δ	11.25°	22.50°	30°	45°	67.5°	90°	Δ
I.D.	VOL. (C.Y.)						I.D.
4.6,8	0.5	1.0	1.3	1.8	2.3	2.5	4.6,8
10,12	1.1	2.2	2.8	4.0	5.2	5.7	10,12

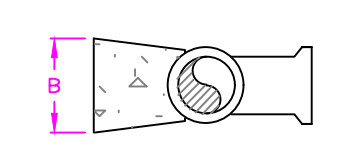
VERTICAL TIE-DOWN BLOCK DETAIL
 NOT TO SCALE



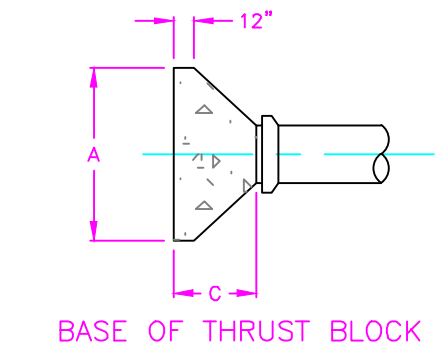
NOTE:
 KEEP CONCRETE CLEAR OF PIPE JOINTS AND BOLTS



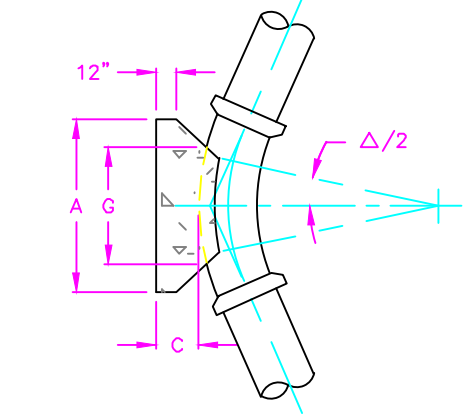
TEE THRUST BLOCK
 NOT TO SCALE



SECTION H-H
 NOT TO SCALE



PLUG/CAP THRUST BLOCK
 NOT TO SCALE

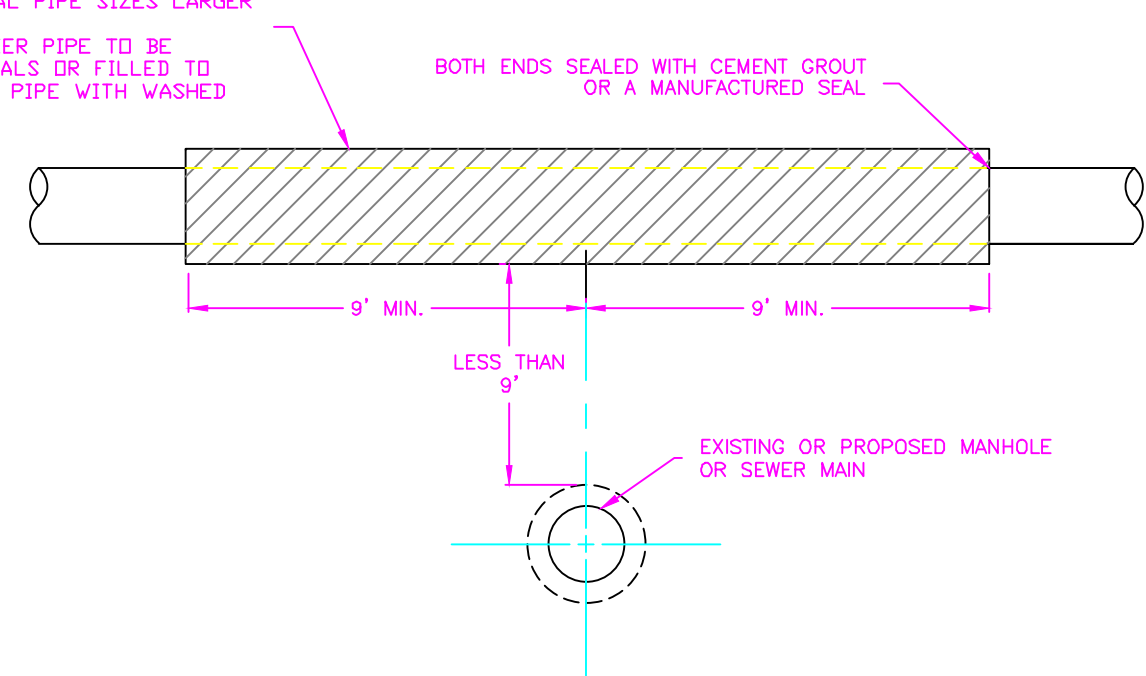
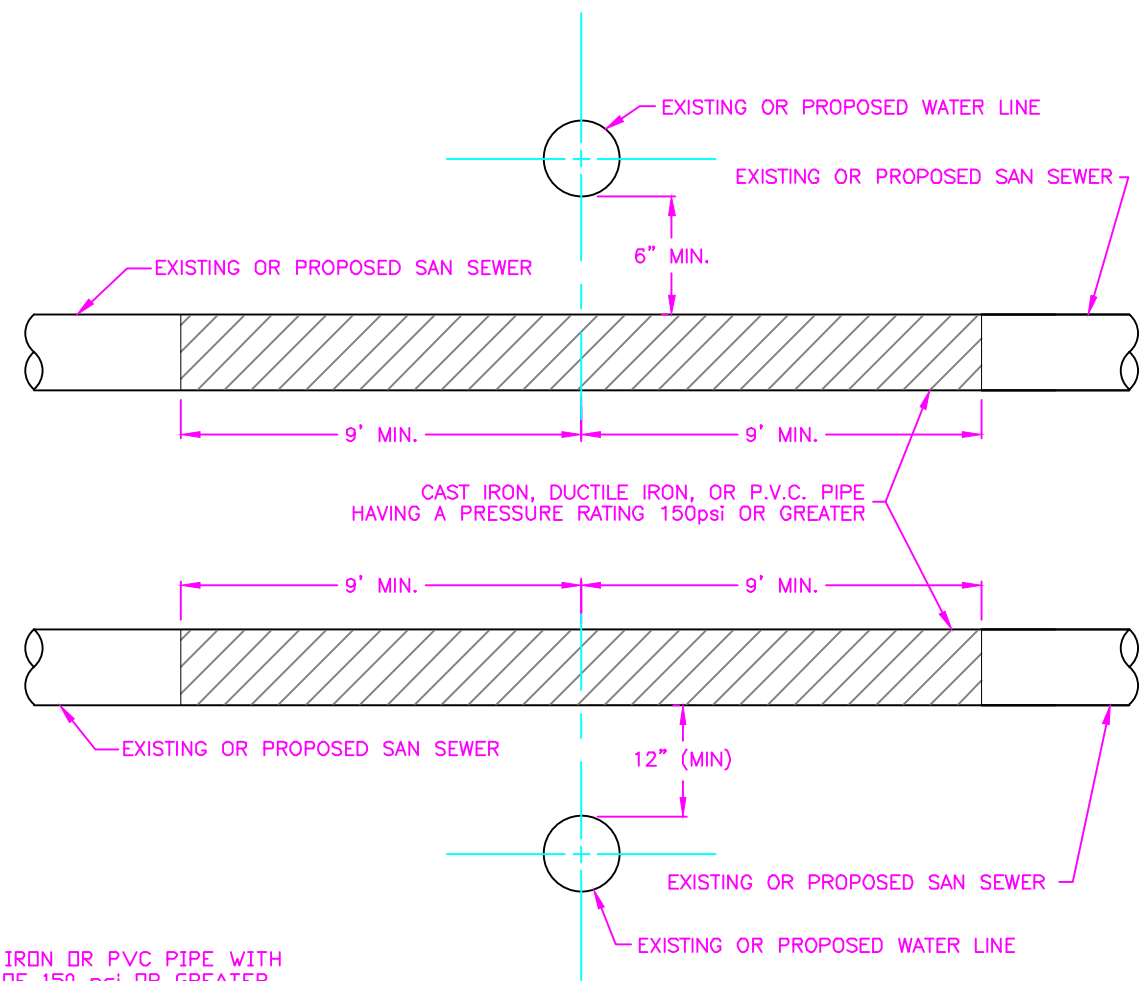


BEND THRUST BLOCK
 NOT TO SCALE

I.D. (IN.)	C (FT.)	Δ = 11.25°				Δ = 22.50°				Δ = 45°				Δ = 90°				TEE/PLUG																
		A (FT.)	B (FT.)	VOL. (C.Y.)	I.D. (IN.)	C (FT.)	A (FT.)	B (FT.)	VOL. (C.Y.)	I.D. (IN.)	C (FT.)	A (FT.)	B (FT.)	VOL. (C.Y.)	I.D. (IN.)	C (FT.)	A (FT.)	B (FT.)	VOL. (C.Y.)	I.D. (IN.)	C (FT.)	A (FT.)	B (FT.)	VOL. (C.Y.)										
4.6,8	0.4	1.0	1.5	0.1	4.6,8	0.8	1.5	1.5	0.1	4.6,8	1.5	2.0	2.0	0.2	4.6,8	2.7	5.0	1.5	0.4	4.6,8	1.5	2.5	0.3											
10,12	0.6	1.5	1.5	0.1	10,12	1.1	2.0	2.5	0.3	10,12	2.2	3.5	2.5	0.5	10,12	4.0	6.5	2.5	1.0	10,12	1.5	3.5	0.6											
16,18	0.8	2.0	2.0	0.2	16,18	1.6	3.0	3.5	0.6	16,18	3.2	4.5	4.5	1.2	16,18	6.0	9.0	4.0	2.4	16,18	2.0	5.5	1.6											

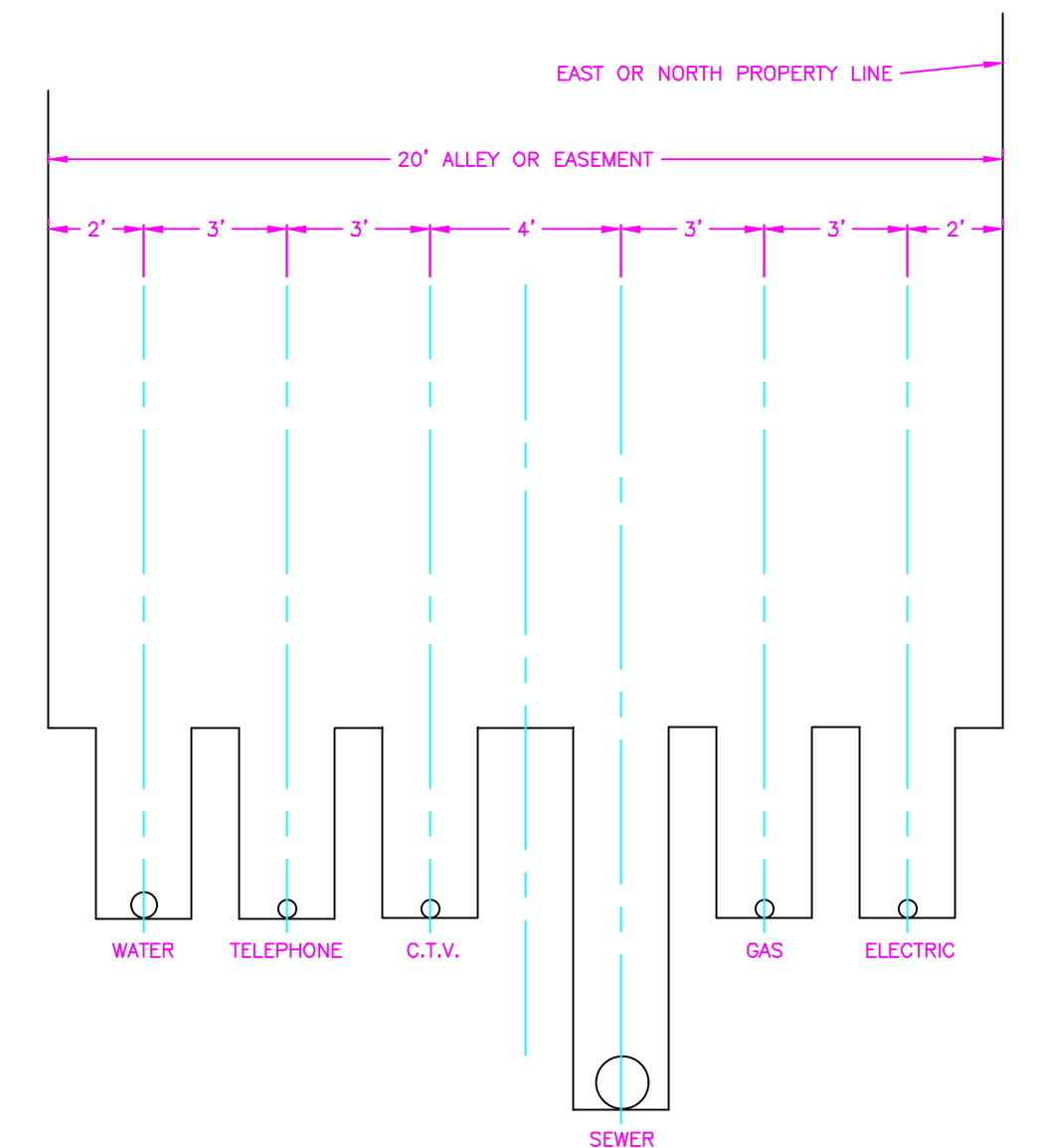
- GENERAL NOTES FOR ALL THRUST BLOCKS
- CONCRETE FOR BLOCKING SHALL BE 2,000 PSI @ 30 DAYS
 - ALL CALCULATIONS ARE BASED ON INTERNAL PRESSURE OF 150 PSI.
 - VOLUMES OF THRUST BLOCKS ARE NET VOLUMES OF CONCRETE TO BE FURNISHED. THE CORRESPONDING WEIGHT OF THE CONCRETE IS EQUAL TO OR GREATER THAN THE VERTICAL COMPONENT OF THE THRUST ON THE VERTICAL BEND.
 - DIMENSIONS MAY BE VARIED AS REQUIRED BY FIELD CONDITIONS. THE VOLUME OF CONCRETE BLOCKING, AND THE BEARING AREA SHALL NOT BE LESS THAN SHOWN IN TABLES.
 - THE CALCULATIONS ARE BASED ON BEARING PRESSURES EQUAL TO 1,000 LBS/S.F. IN SOIL.
 - USE POLYETHYLENE WRAP BETWEEN CONCRETE BLOCKING AND BENDS, TEES AND PLUGS.
 - CONCRETE SHALL EXTEND BEYOND JOINTS.

HORIZONTAL BLOCKING TABLE AND DETAILS
 MECHANICAL JOINT

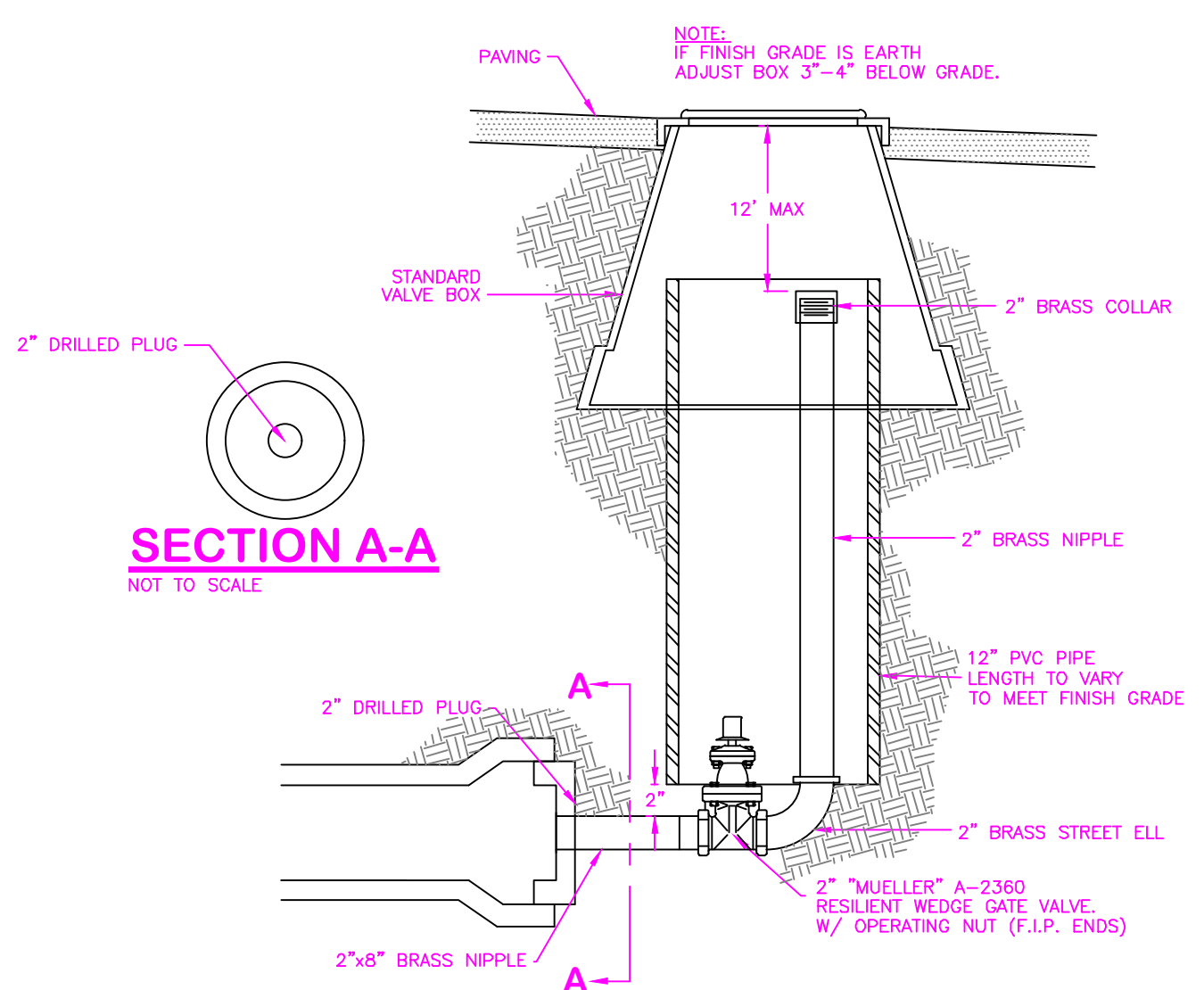


- NOTE:
- CAST IRON, DUCTILE IRON OR PVC PIPE WITH A PRESSURE RATING OF 150 PSI OR GREATER.
 - MINIMUM OF 3 NOMINAL PIPE SIZES LARGER THAN WATER LINE.
 - SPACE AROUND CARRIER PIPE TO BE SUPPORTED AT 5' INTERVALS OR FILLED TO THE SPRING LINE OF THE PIPE WITH WASHED SAND.

WATER MAIN/SEWER MAIN CROSSING
 NOT TO SCALE

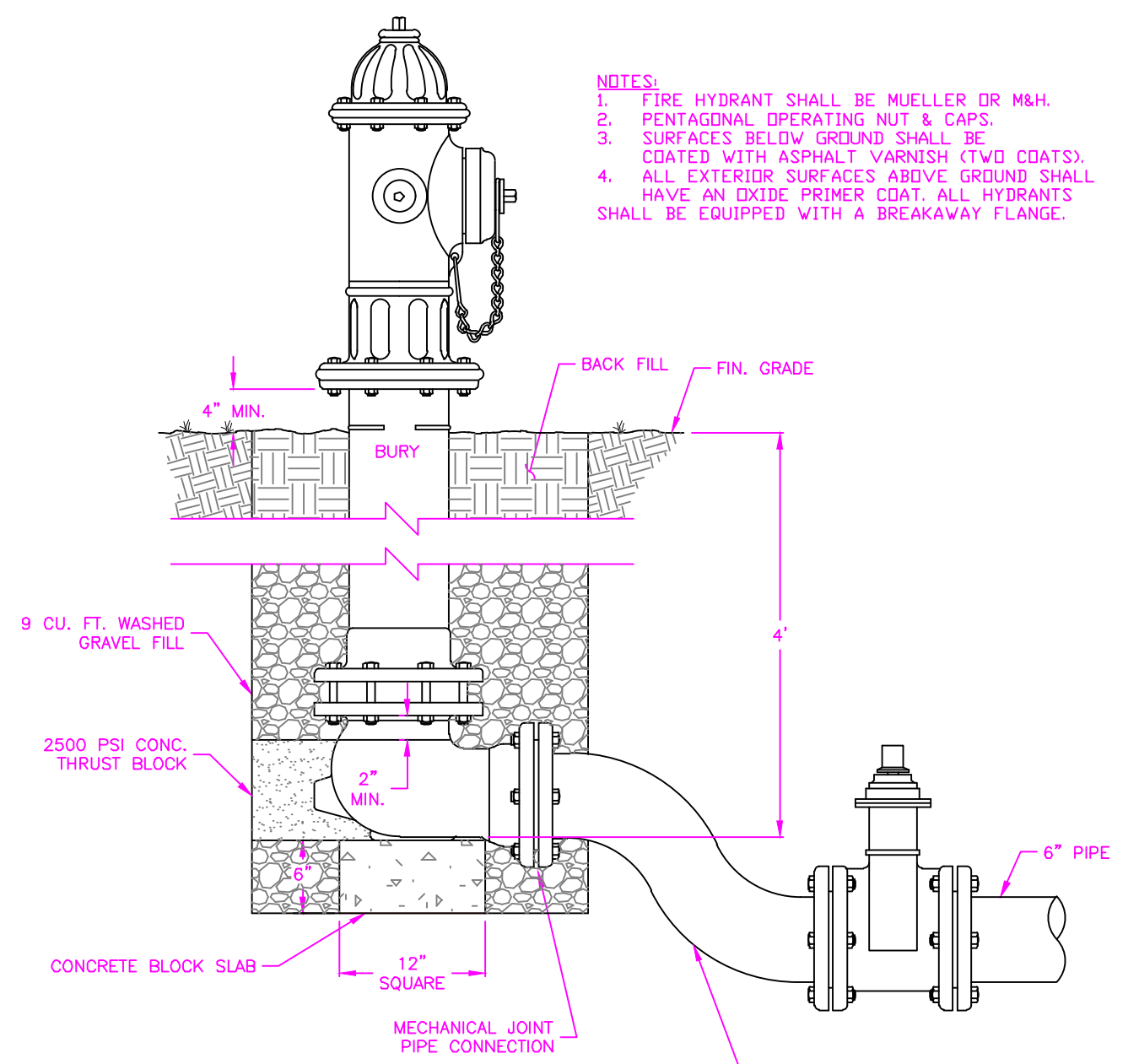


TYPICAL UNDERGROUND UTILITY PLACEMENT
 NOT TO SCALE



SECTION A-A
 NOT TO SCALE

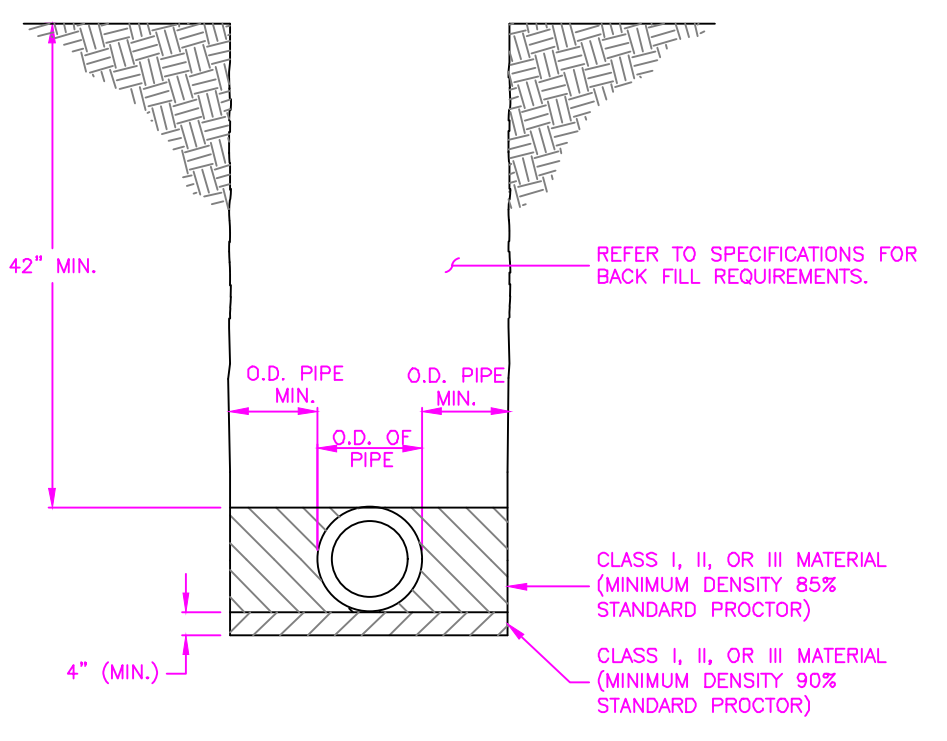
TYPICAL FLUSH VALVE INSTALLATIONS
 NOT TO SCALE



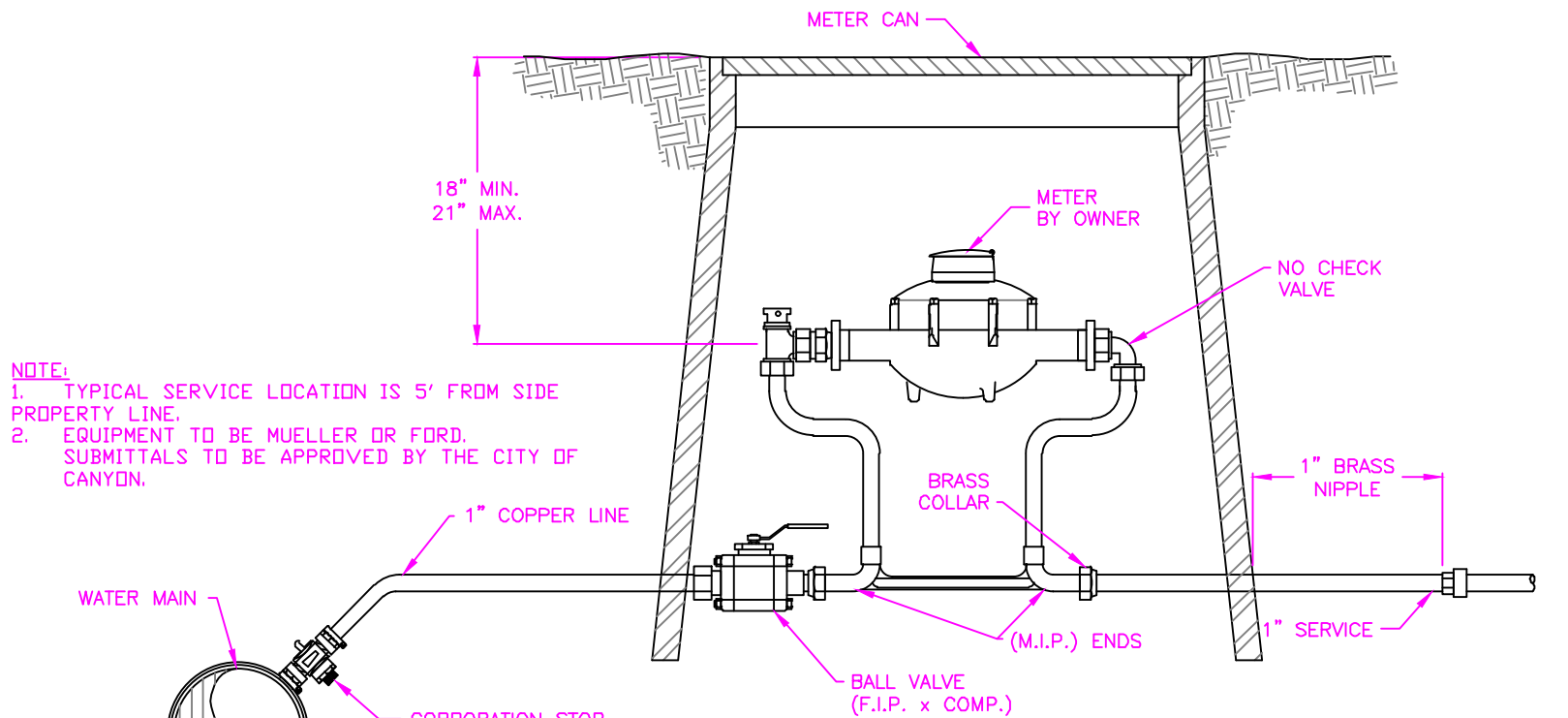
- NOTE:
- FIRE HYDRANT SHALL BE MUELLER OR M&H.
 - PENTAGONAL OPERATING NUT & CAPS.
 - SURFACES BELOW GROUND SHALL BE COATED WITH ASPHALT VARNISH (TWO COATS).
 - ALL EXTERIOR SURFACES ABOVE GROUND SHALL HAVE AN OXIDE PRIMER COAT. ALL HYDRANTS SHALL BE EQUIPPED WITH A BREAKAWAY FLANGE.

FIRE HYDRANT DETAIL
 NOT TO SCALE

USE OFFSET WHEN VERTICAL OR HORIZONTAL ALIGNMENT IS REQUIRED. "GRADE" OFFSET OR EQUAL (WHEN USING 6" x 24" OFFSET GROUND TO CENTER OF PIPE DEPTH SHALL NOT EXCEED 5"-6")



WATER DISTRIBUTION PIPE EMBEDMENT DETAIL
 NOT TO SCALE



WATER SERVICE DETAIL
 NOT TO SCALE

- NOTE:
- TYPICAL SERVICE LOCATION IS 5' FROM SIDE PROPERTY LINE.
 - EQUIPMENT TO BE MUELLER OR FORD. SUBMITTALS TO BE APPROVED BY THE CITY OF CANYON.