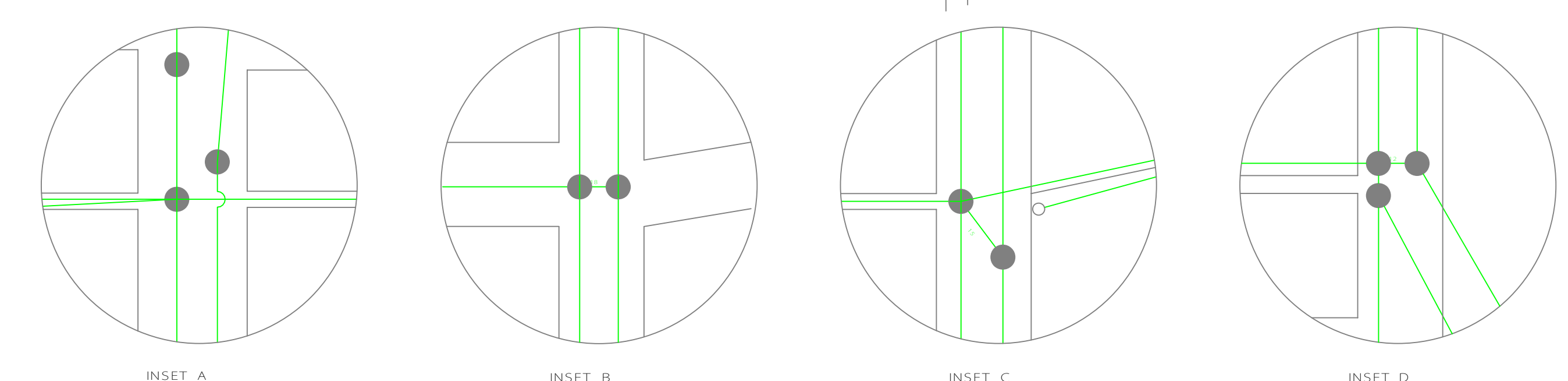




- LEGEND**
- 4" FORCE MAIN
 - 6"
 - 8" FORCE MAIN
 - 10"
 - 12"
 - 14"
 - 16"
 - CLEANOUT
 - MANHOLE
 - CITY LIMITS

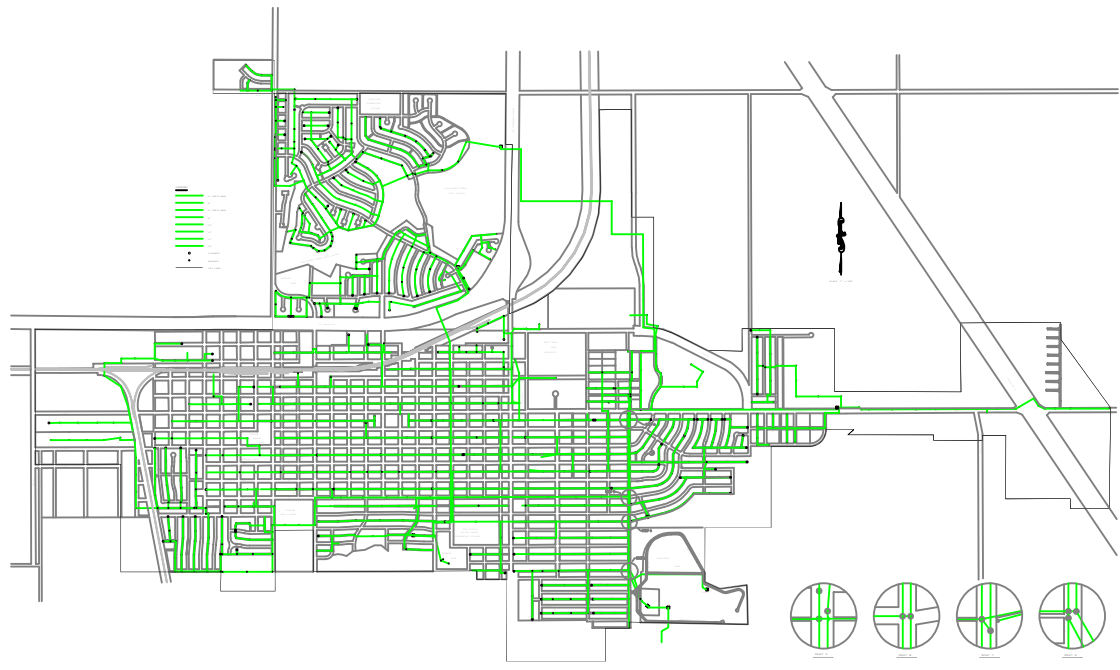
SCALE: 1" = 500'



MAP PREPARED BY:
BRANDT ENGINEERS
 AMARILLO, TEXAS
 JANUARY 2000

SANITARY SEWER COLLECTION SYSTEM

(REVISED OCTOBER 2004)



SANITARY SEWER COLLECTION SYSTEM

(REVISED OCTOBER 2004)